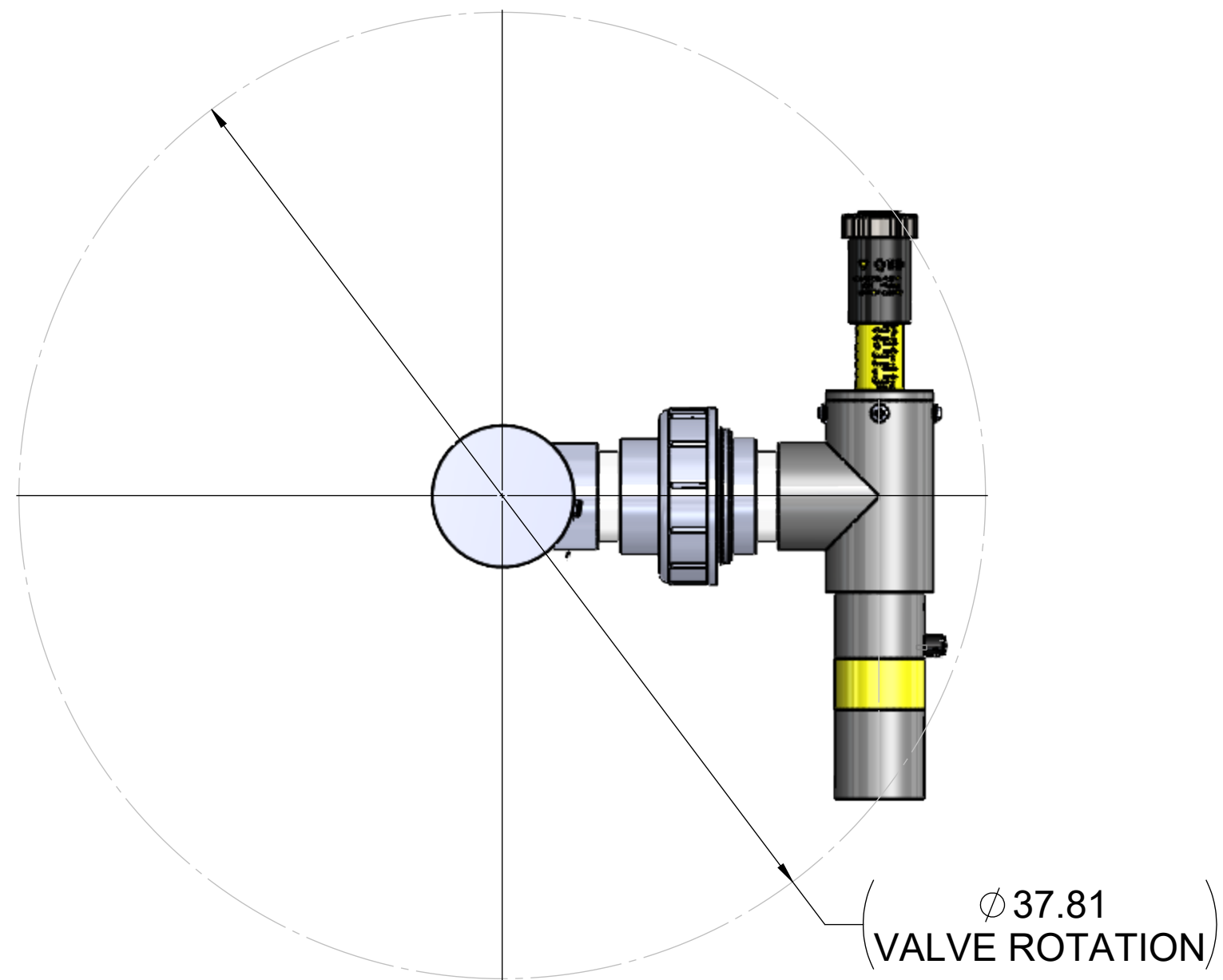
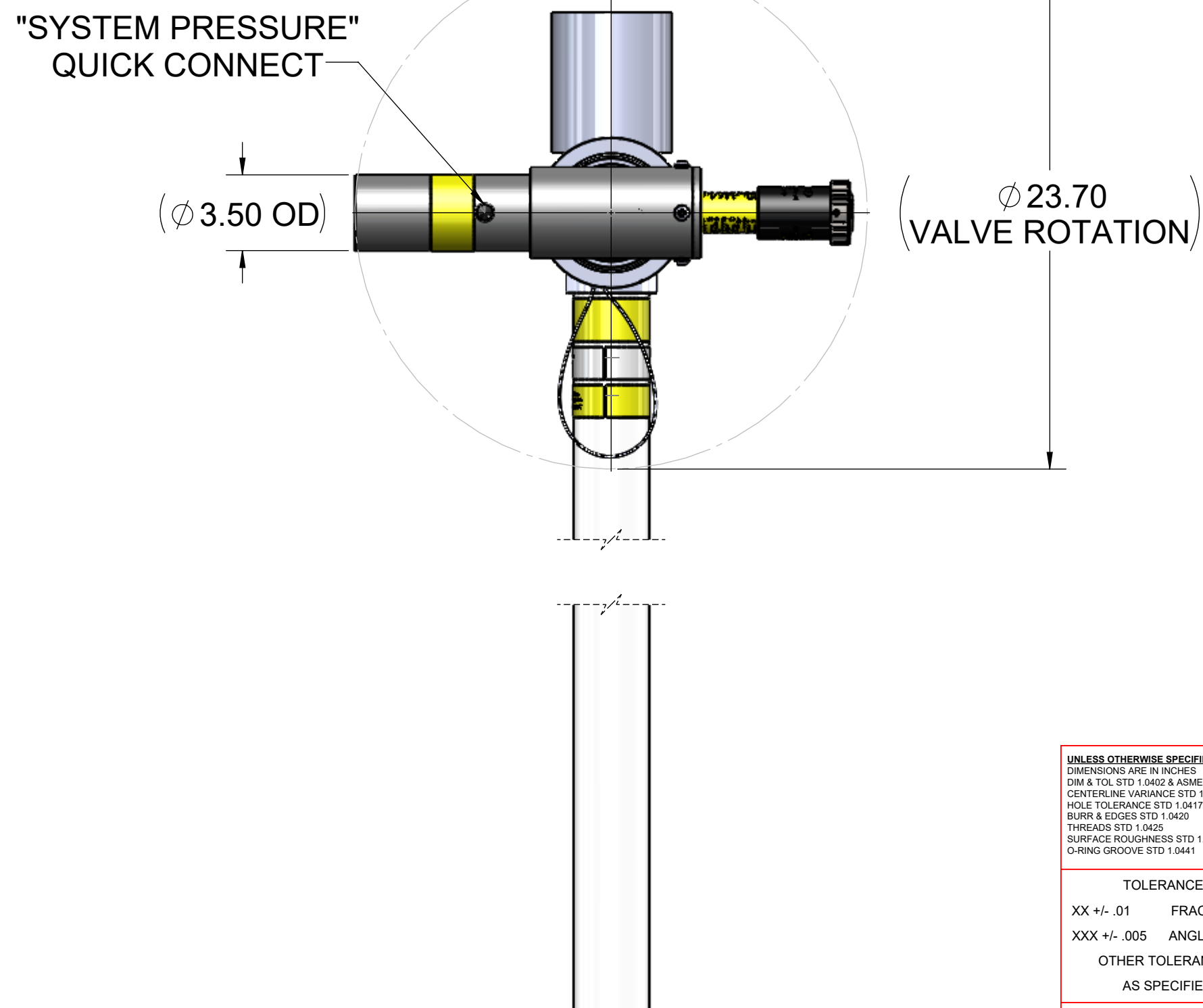
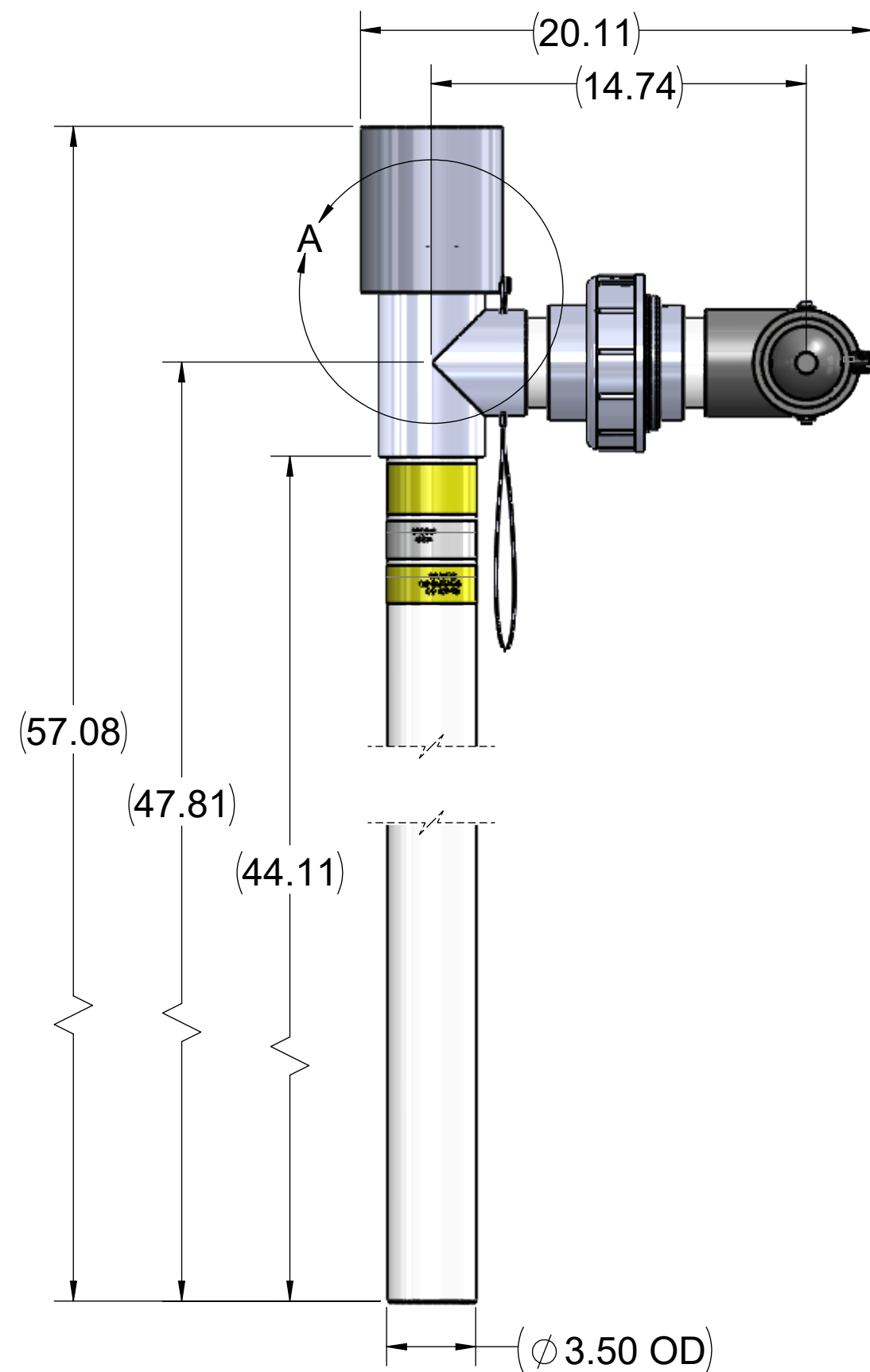
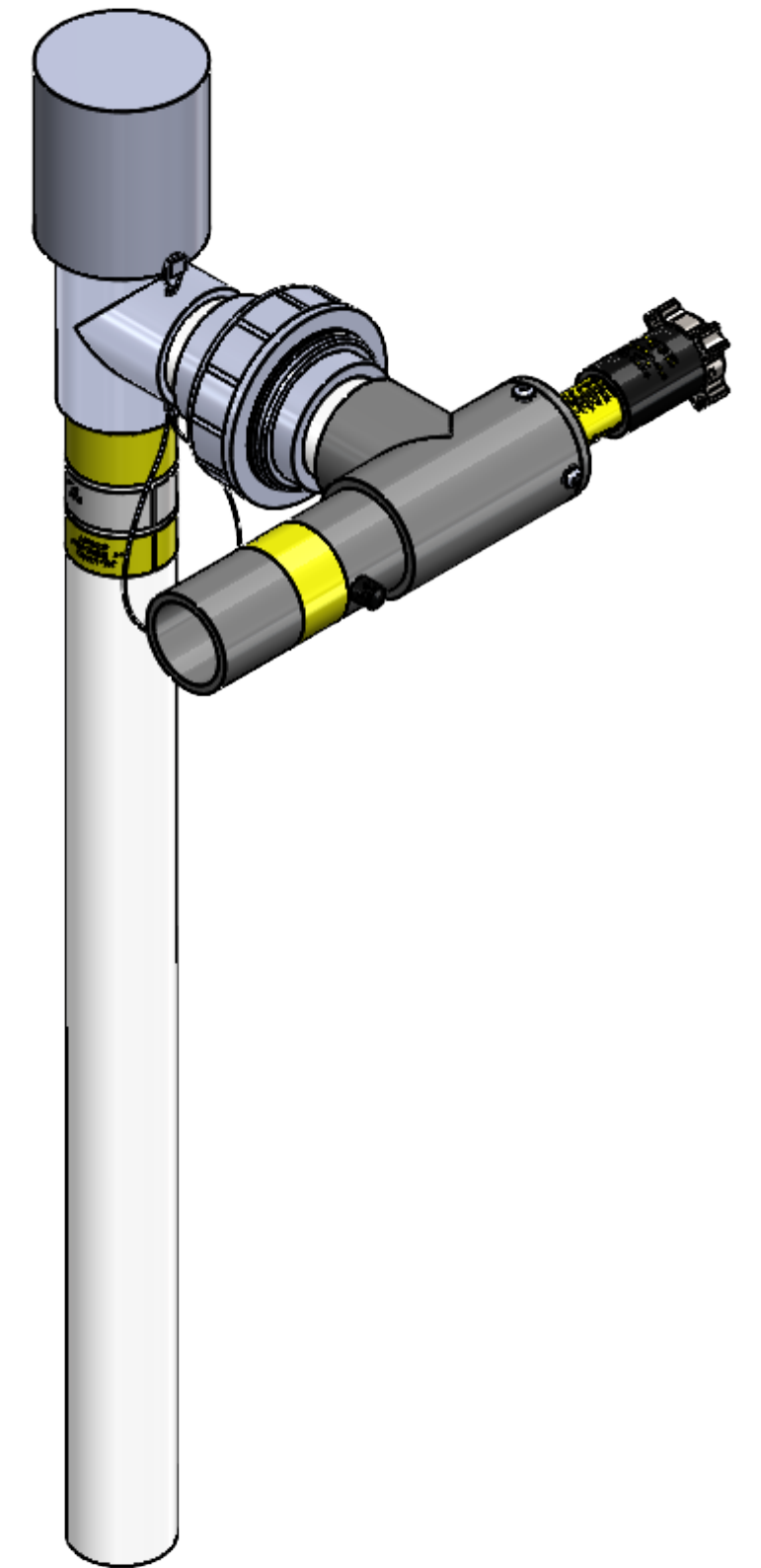



THE INFORMATION CONTAINED IN THIS DRAWING IS THE SOLE PROPERTY OF Q.E.D. ENVIRONMENTAL ANY REPRODUCTION IN PART OR WHOLE WITHOUT THE WRITTEN PERMISSION OF Q.E.D. ENVIRONMENTAL IS PROHIBITED.



"TEMPERATURE" QUICK CONNECT
 "IMPACT PRESSURE" QUICK CONNECT
 "STATIC PRESSURE" QUICK CONNECT

DETAIL A
SCALE 1 : 3



<small>UNLESS OTHERWISE SPECIFIED: DIMENSIONS ARE IN INCHES DIM & TOL STD 1.0402 & ASME Y14.5-1994 CENTERLINE VARIANCE STD 1.0416 (12/2013) HOLE TOLERANCE STD 1.0417 (12/2013) BURR & EDGES STD 1.0420 THREADS STD 1.0425 SURFACE ROUGHNESS STD 1.0470 (12/2013) O-RING GROOVE STD 1.0441</small>	DRAWN BY DJC	DATE -	 2355 BISHOP CIRCLE W, DEXTER, MI. 48130
	CHECKED BY -	DATE -	
<small>TOLERANCES XX +/- .01 FRACT +/- 1/64 XXX +/- .005 ANGLES +/- 1/2 OTHER TOLERANCES AS SPECIFIED</small>	APPROVED BY -	DATE -	TITLE 3" WELLHEAD W/ QUICK CONNECTIONS
NEXT ASSY -	MATERIAL -	DWG. NO. AF030-P-Q dimensions	REV. -
USED ON -	FINISH -	SCALE 1:8	SHEET 1 OF 1