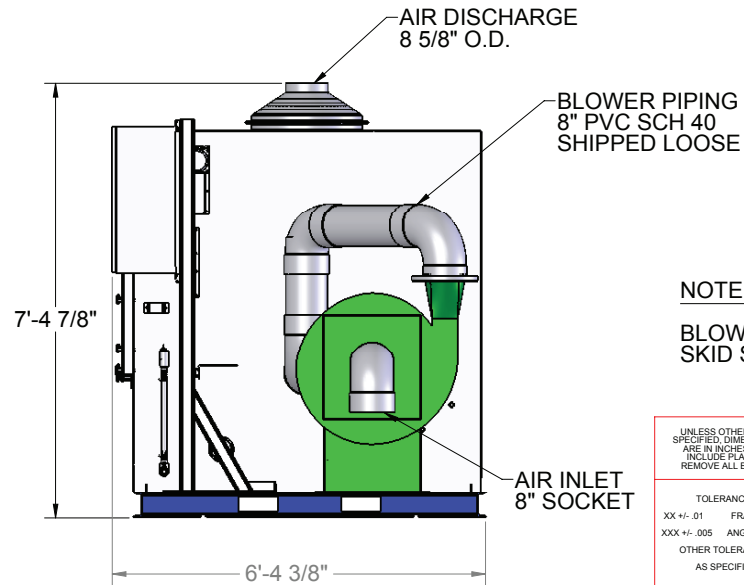
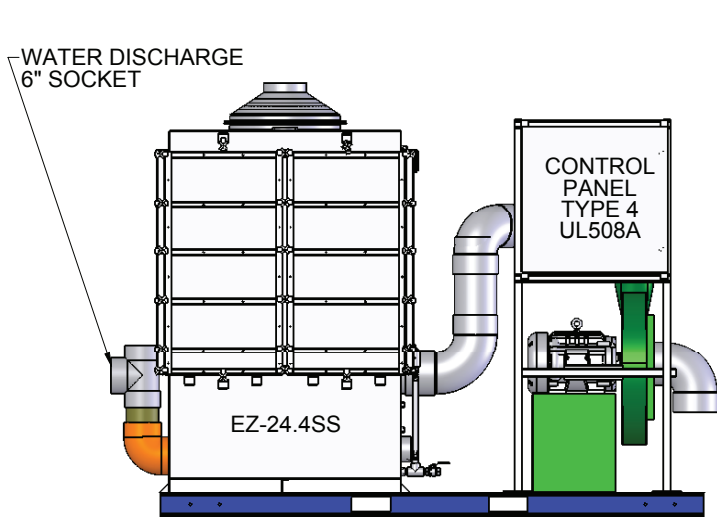
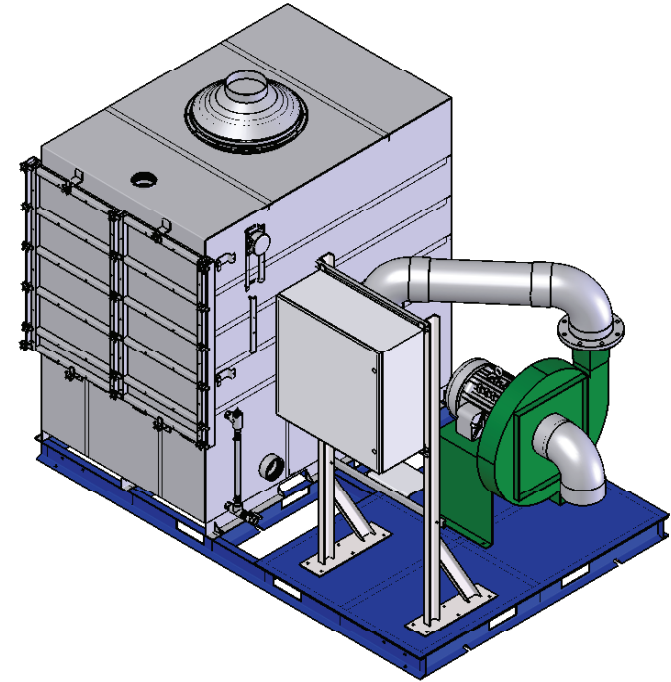
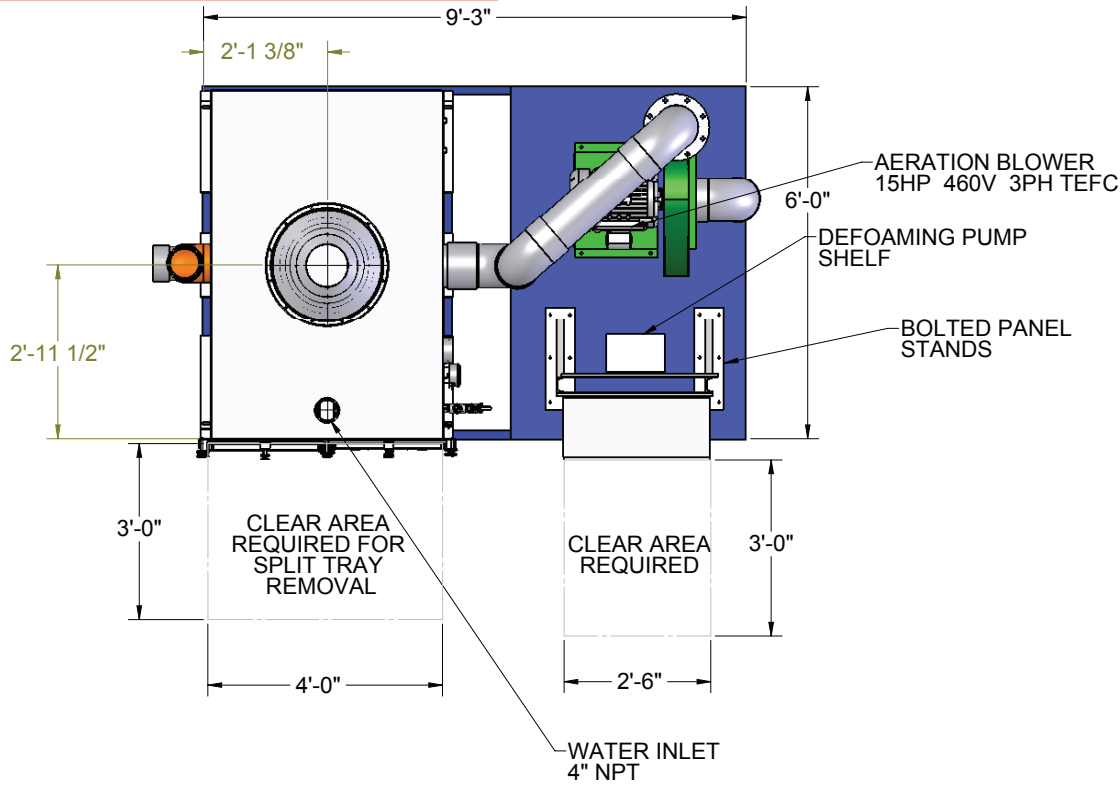


THE INFORMATION CONTAINED IN THIS DRAWING IS THE SOLE PROPERTY OF Q.E.D. ENVIRONMENTAL. ANY REPRODUCTION IN PART OR WHOLE WITHOUT THE WRITTEN PERMISSION OF Q.E.D. ENVIRONMENTAL IS PROHIBITED.

REVISIONS					
REV.	DESCRIPTION	ECO #	DRAWN BY	CHECKED BY	DATE
	RELEASED FOR APPROVAL		BS	DC	9-13-10



NOTE:

BLOWER, PANEL, PANEL STANDS & SKID SHIPPED LOOSE.

UNLESS OTHERWISE SPECIFIED DIMENSIONS ARE IN INCHES AND INCLUDE PLATING REMOVE ALL BURRS	DRAWN BY	DATE
	BS	7-26-10
	CHECKED BY	DATE
TOLERANCES XX +/- .01 FRACT +/- 1/2 XXX +/- .005 ANGLES +/- 1/2 OTHER TOLERANCES AS SPECIFIED	CJ	7-26-10
	APPROVED BY	DATE
	DC	7-26-10
NEXT ASSY -	MATERIAL -	
USED ON -	FINISH -	

