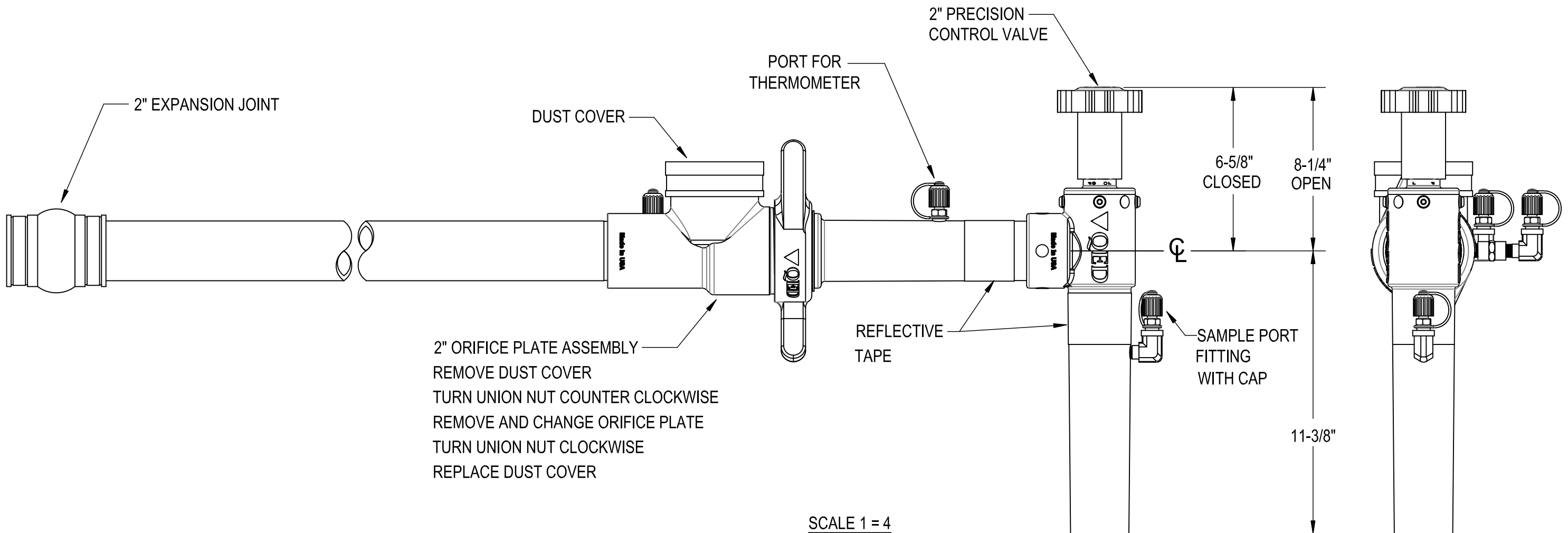
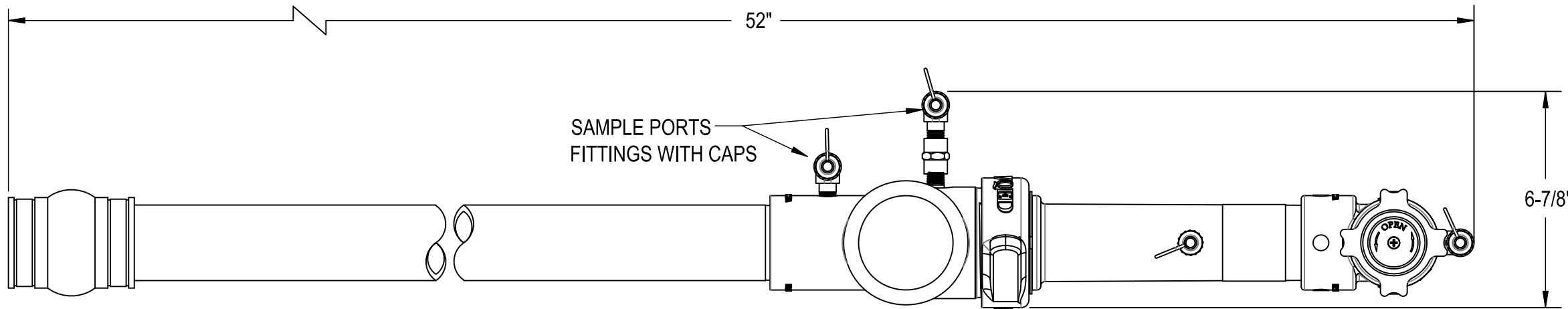


2" QUICK CHANGE ORIFICE PLATE HORIZONTAL WELLHEAD
MODEL ORP215MHV

ORIFICE PLATES NOT INCLUDED
ORIFICE PLATES TO BE SOLD
INDIVIDUALLY OR IN KITS

- 0.40 ϕ
- 0.50 ϕ
- 0.75 ϕ
- 1.00 ϕ
- 1.25 ϕ
- 1.40 ϕ



2" ORIFICE PLATE ASSEMBLY
REMOVE DUST COVER
TURN UNION NUT COUNTER CLOCKWISE
REMOVE AND CHANGE ORIFICE PLATE
TURN UNION NUT CLOCKWISE
REPLACE DUST COVER

SCALE 1 = 4



734-995-2547 -US HEADQUARTERS
734-995-1170 -FAX
800-624-2026 -NORTH AMERICA TOLL FREE
www.qedenv.com -WEB PAGE

| | | | | |
|--|---|--|--|--------------------|
| TOLERANCES UNLESS OTHERWISE SPECIFIED ANGULAR : .5° FRAC : .XXX : .005 .XX : .01 .XXXX : .0005 | APPROVALS DRAWN TONY RAMIREZ DESIGNER BRP/LN CHECKED BRP/LN APPROVED BRP/LN | DATE 10-30-12 10-31-12 10-31-12 10-31-12 | TITLE 2" QUICK CHANGE ORIFICE PLATE HORIZONTAL WELLHEAD MODEL ORP215MHV DRAWING No. 602489 SCALE SEE NOTE | REV A 1 OF 1 |
|--|---|--|--|--------------------|